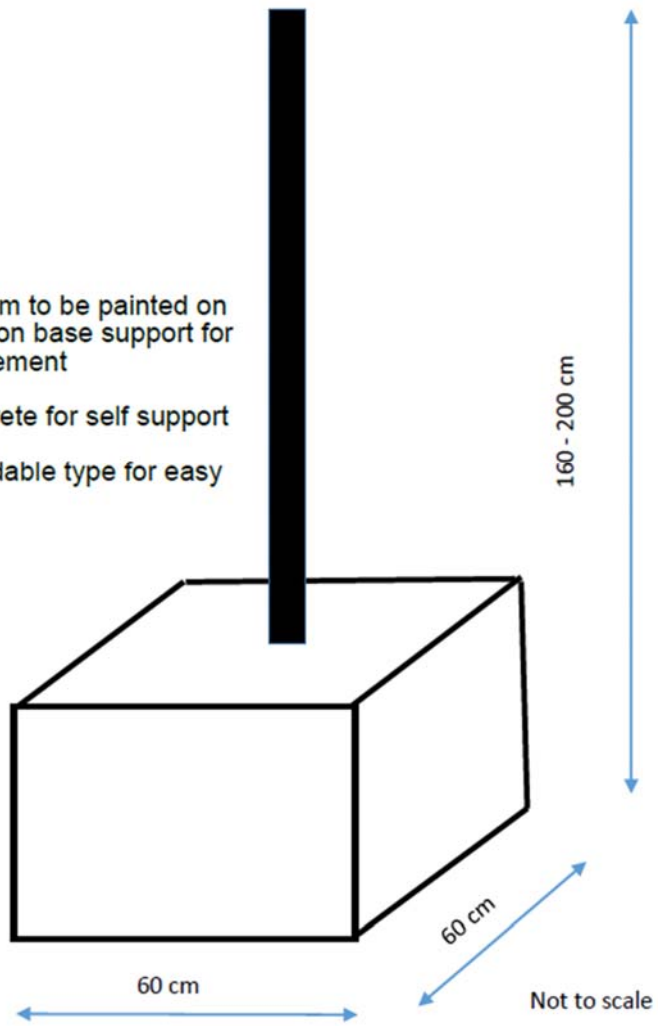


Staff for monitoring pond water level – 3 Nos.

Scale markings in cm to be painted on the staffgauge and on base support for water level measurement

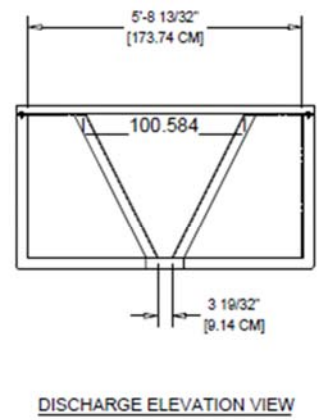
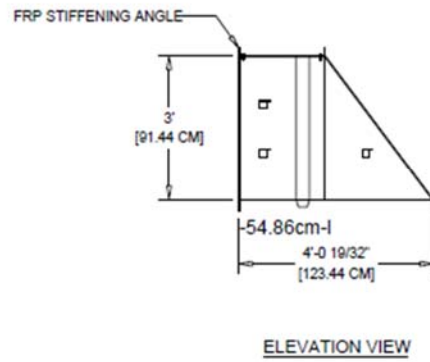
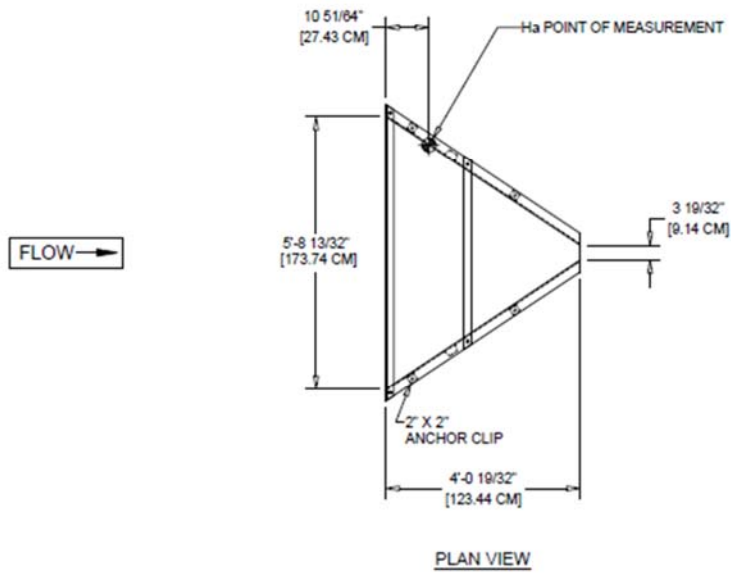
Base block of concrete for self support

Staff have to be foldable type for easy conveyance

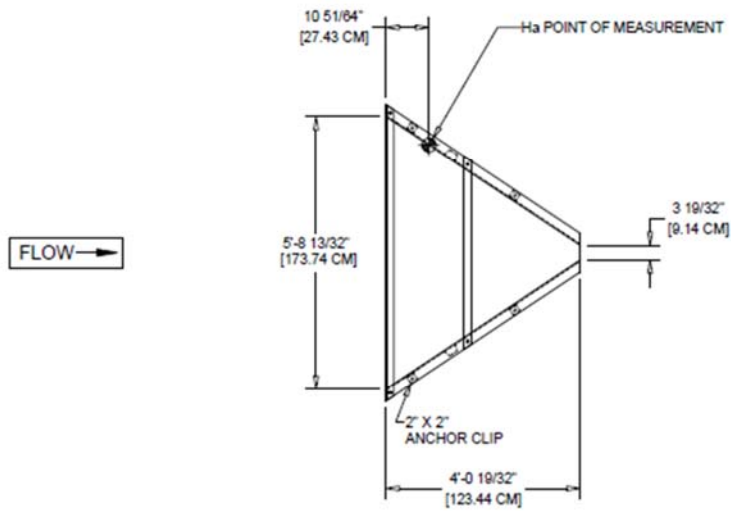


#

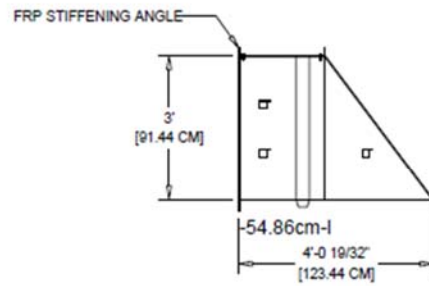
3 FEET H



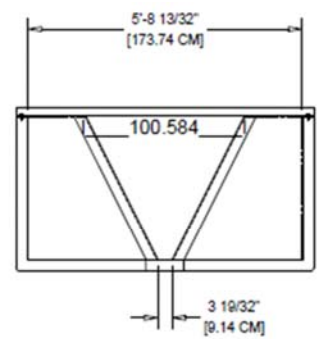
3 FEET H



PLAN VIEW



ELEVATION VIEW



DISCHARGE ELEVATION VIEW